



# Aqua Mini 400

Compact submersible pump for clear water and domestic drainage.



Complete Technical Datasheet with Technical Data, Dimensions and Performance Curve

TENSÃO **230 V - 50 Hz** KW **0.36 kW**



Scan for live product details:

**JOVAL** - Marinho Oliveira S.A. | Zona Industrial do Socorro, Lote 10, Fafe

[www.joval.pt](http://www.joval.pt)



# Aqua Mini 400

Compact submersible pump for clear water and domestic drainage.



The AQUA MINI 400 is a compact submersible pump designed for clear water. Ideal for emptying wells, collection tanks, garages, or cellars subject to flooding. It is also suitable for small runoff irrigation and transferring water from reservoirs or swimming pools. Built in AISI 304 stainless steel, it offers durability and corrosion resistance, with built-in thermal protection and an automatic float switch.

## APPLICATIONS

- Emptying of wells, collection tanks, garages or cellars.
- Drainage of areas subject to flooding.
- Small runoff irrigation.
- Transfer of tanks, swimming pools and small water features.

## TECHNICAL DATA

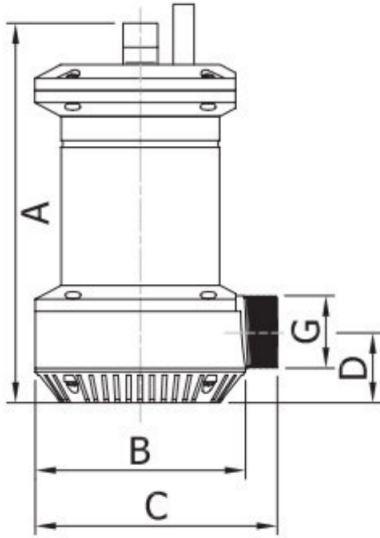
### TECHNICAL SPECIFICATIONS

Voltage	230 V - 50 Hz
Power (P2)	0.5 HP / 0.37 kW
Power (P1)	0.36 kW
Amperage	1.6 A
Capacitor	8 µF - 450 V
Weight	3.5 kg
Discharge (DNM)	1" 1/4

### MOTOR CHARACTERISTICS

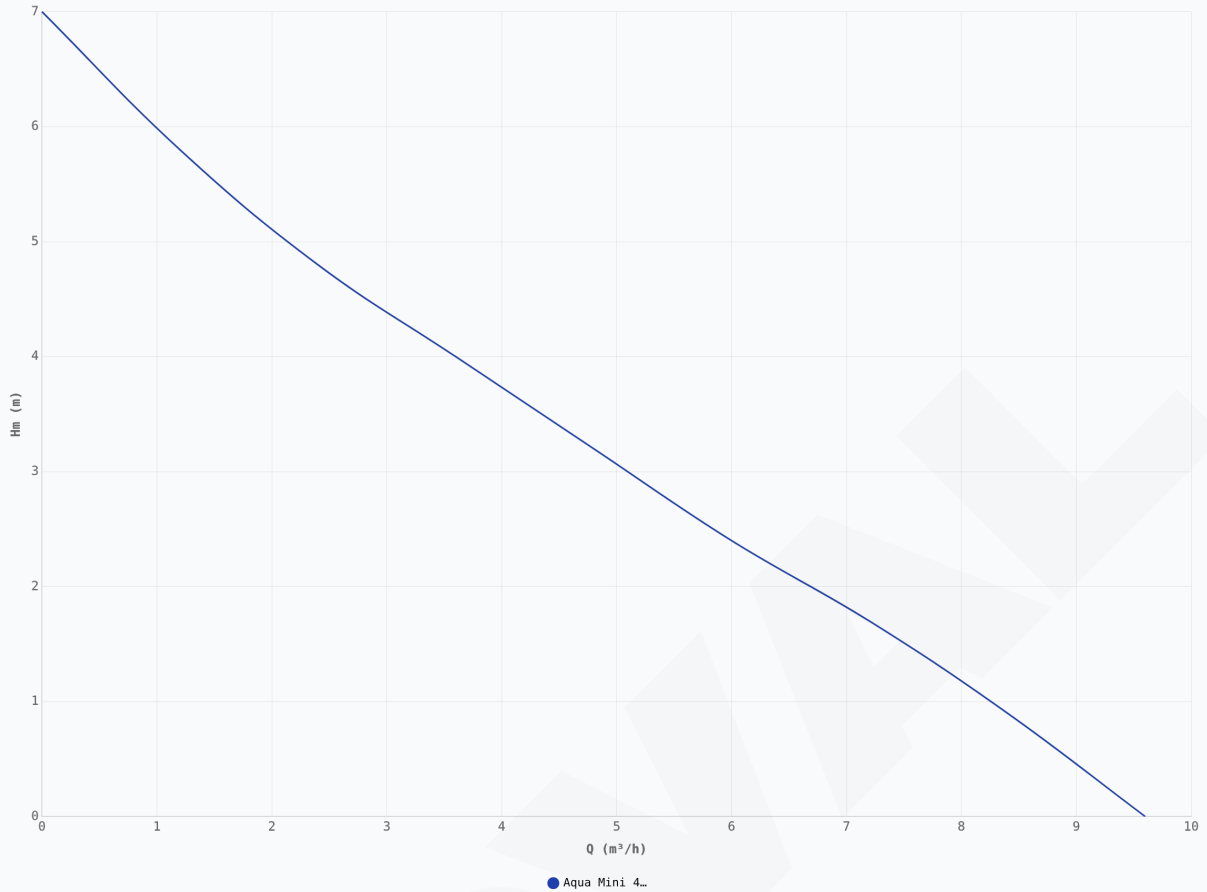
Material	Stainless Steel AISI 304 (1.4301)
Impeller	Stainless Steel AISI 304 (1.4301)
Shaft	Stainless Steel AISI 420
Seal	Double mechanical seal in silicon carbide
Max Temperature	35° C

## DIMENSIONS



A (mm)	B (mm)	C (mm)	D (mm)	G	Weight (kg)
220,0	122,0	142,0	40,0	1" 1/4	3,5

## PERFORMANCE CURVE (Q - HM)



Curvas de caudal (Q) vs. altura manométrica (Hm)

Model	kW	HP	Amperage	m³/h	0	1.2	2.4	3.6	4.8	6	7.2	8.4	9.6
				Hm (m)									
Aqua Mini 400	0,37	0,50	1,60		7,0	5,8	4,8	4,0	3,2	2,4	1,7	0,9	0,0

**Your feedback helps other professionals:** Your feedback helps other professionals choose with confidence. You can leave us a Google review here:  
<https://g.page/r/CQ-zo3RFB7I3EAE/review>