



# Bomba Vertical Multicelular CDLF

Bombas centrífugas multicelulares verticais in-line para líquidos limpos, ideais para pressurização, sistemas de lavagem e tratamento de águas.

---

Ficha Técnica Completa com Dados Técnicos, Dimensões e Curva de Performance

TENSÃO **220-240V (1~) / 380-415V (3~)**



Digitalize para ver detalhes do produto:

**JOVAL** - Marinho Oliveira S.A. | Zona Industrial do Socorro, Lote 10, Fafe

[www.joval.pt](http://www.joval.pt)



# Bomba Vertical Multicelular CDLF

Imagem indisponível

**Bombas centrífugas multicelulares verticais in-line para líquidos limpos, ideais para pressurização, sistemas de lavagem e tratamento de águas.**

A série CDLF é composta por bombas centrífugas multicelulares verticais com design in-line. Esta construção permite a instalação da bomba num sistema de tubagem horizontal onde os bocais de aspiração e compressão estão no mesmo nível e têm o mesmo tamanho de ligação. Estas bombas são versáteis e robustas, sendo amplamente utilizadas em sistemas de abastecimento de água, pressurização industrial, transporte de líquidos industriais, tratamento de águas, irrigação e alimentação de caldeiras.

## APLICAÇÕES

- Processos industriais e transferência de líquidos.
- Sistemas de pressurização hidráulica
- Tratamento de águas
- Irrigação agrícola
- Sistemas de circulação de água
- Sistemas de lavagem e limpeza
- Alimentação de caldeiras

## DADOS TÉCNICOS

### ESPECIFICAÇÕES TÉCNICAS

Tipo	Bomba centrífuga multicelular
Standard	In-line / DIN
Material	Aço Inoxidável (AISI 304) / Ferro Fundido (Base)
Tensão	220-240V (1~) / 380-415V (3~)
Caudal Máximo	240 m³/h
Altura Máxima	305 m
Proteção	IP 55
Isolamento	Classe F
Temp. do líquido	-15°C a +120°C
Pressão Máxima	30 bar / PN30

### DETALHES TÉCNICOS

Velocidade Nominal	2900 rpm
Normas	CE / ISO 9906
Selo Mecânico	ALLOY/SIC/NBR (Cartridge)
Rendimento do Motor	IE3 (Alta Eficiência)
Código de Ligação	F (Flange DIN)

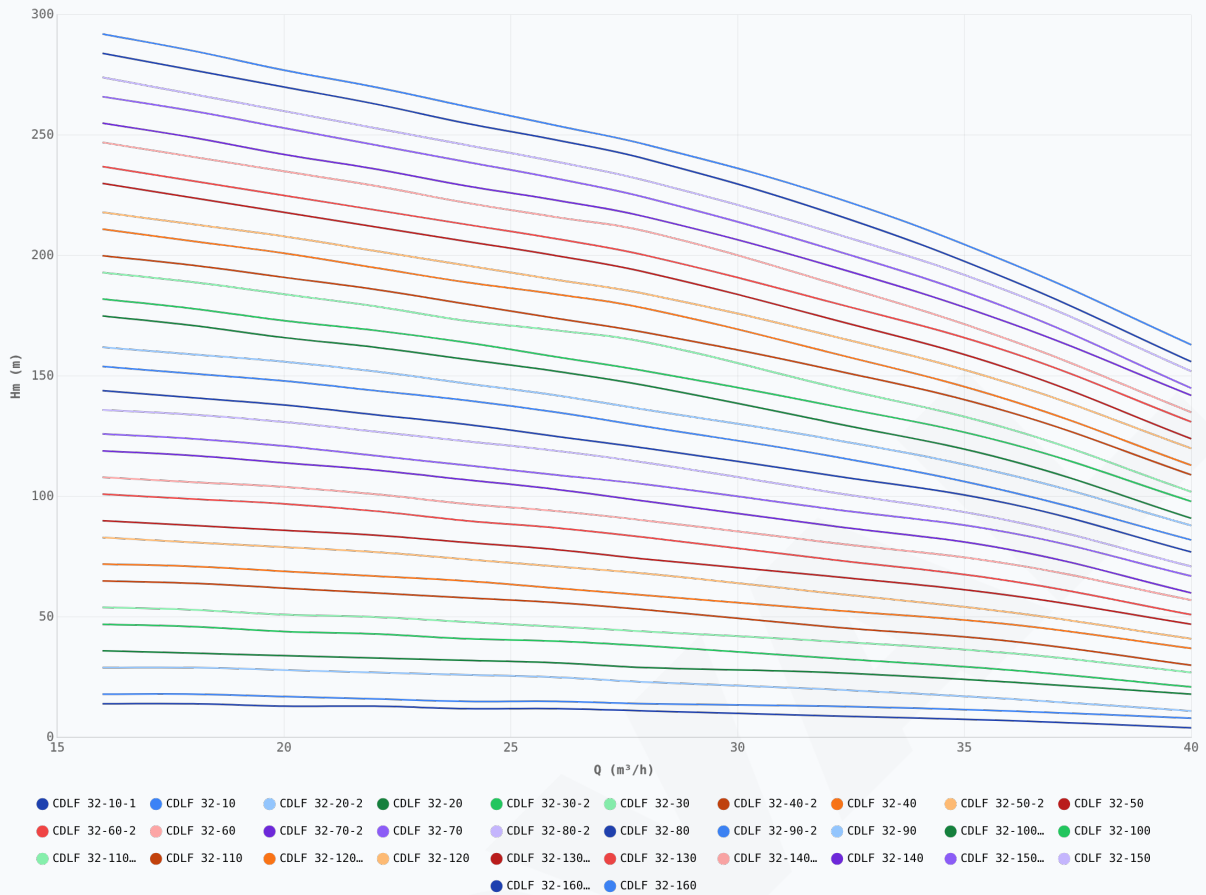
## DIMENSÕES

Modelo	B1 (mm)	B (mm)	D1 (mm)	D2 (mm)	NW (kg)
CDLF 32-10-1	505,0	795,0	190,0	155,0	64,0
CDLF 32-20	575,0	930,0	230,0	188,0	85,0
CDLF 32-40	715,0	1.105,0	260,0	208,0	109,0
CDLF 32-60	960,0	1.460,0	330,0	255,0	185,0
CDLF 32-100	1.240,0	1.790,0	330,0	255,0	227,0
CDLF 32-130	1.450,0	2.100,0	400,0	310,0	337,0
CDLF 32-160	1.660,0	2.310,0	400,0	310,0	350,0
CDLF 45-10-1	561,0	906,0	197,0	165,0	83,0
CDLF 45-20	641,0	1.031,0	260,0	208,0	110,0
CDLF 45-40	906,0	1.406,0	330,0	255,0	197,0
CDLF 45-60	1.066,0	1.641,0	360,0	285,0	261,0
CDLF 45-90	1.306,0	1.956,0	400,0	310,0	352,0
CDLF 45-110	1.466,0	2.151,0	450,0	345,0	426,0
CDLF 45-130-2	1.626,0	2.311,0	450,0	345,0	438,0
CDLF 64-10-1	561,0	916,0	230,0	188,0	93,0
CDLF 64-20	754,0	1.254,0	330,0	255,0	182,0
CDLF 64-40	919,0	1.494,0	360,0	285,0	258,0
CDLF 64-60	1.084,0	1.734,0	400,0	310,0	349,0
CDLF 64-80-1	1.248,0	1.933,0	460,0	340,0	424,0
CDLF 90-10-1	571,0	961,0	260,0	208,0	105,0
CDLF 90-20	773,0	1.273,0	330,0	255,0	192,0
CDLF 90-40	957,0	1.607,0	400,0	310,0	312,0
CDLF 90-60	1.141,0	1.826,0	460,0	340,0	407,0
CDLF 120-10	840,0	1.340,0	330,0	255,0	230,0
CDLF 120-30	1.160,0	1.810,0	400,0	310,0	360,0
CDLF 120-50	1.510,0	2.270,0	540,0	370,0	575,0
CDLF 120-70	1.830,0	2.675,0	580,0	410,0	715,0
CDLF 150-10-1	840,0	1.340,0	330,0	255,0	230,0
CDLF 150-30	1.160,0	1.810,0	400,0	310,0	360,0
CDLF 150-60	1.670,0	2.515,0	580,0	410,0	700,0
CDLF 200-10-B	907,0	1.457,0	330,0	255,0	311,0
CDLF 200-20	1.131,0	1.891,0	540,0	370,0	595,0
CDLF 200-40	1.519,0	2.659,0	645,0	550,0	1.180,0

## FLANGE

Série	DN	a (mm)	b (mm)	c (mm)	d (mm)
CDLF 32	65,0	105,0	170,0	225,0	320,0
CDLF 45	80,0	140,0	190,0	245,0	365,0
CDLF 64	100,0	140,0	190,0	245,0	365,0
CDLF 90	100,0	140,0	199,0	255,0	380,0
CDLF 120	125,0	180,0	275,0	340,0	380,0
CDLF 150	125,0	180,0	275,0	340,0	380,0
CDLF 200	150,0	200,0	385,0	460,0	490,0

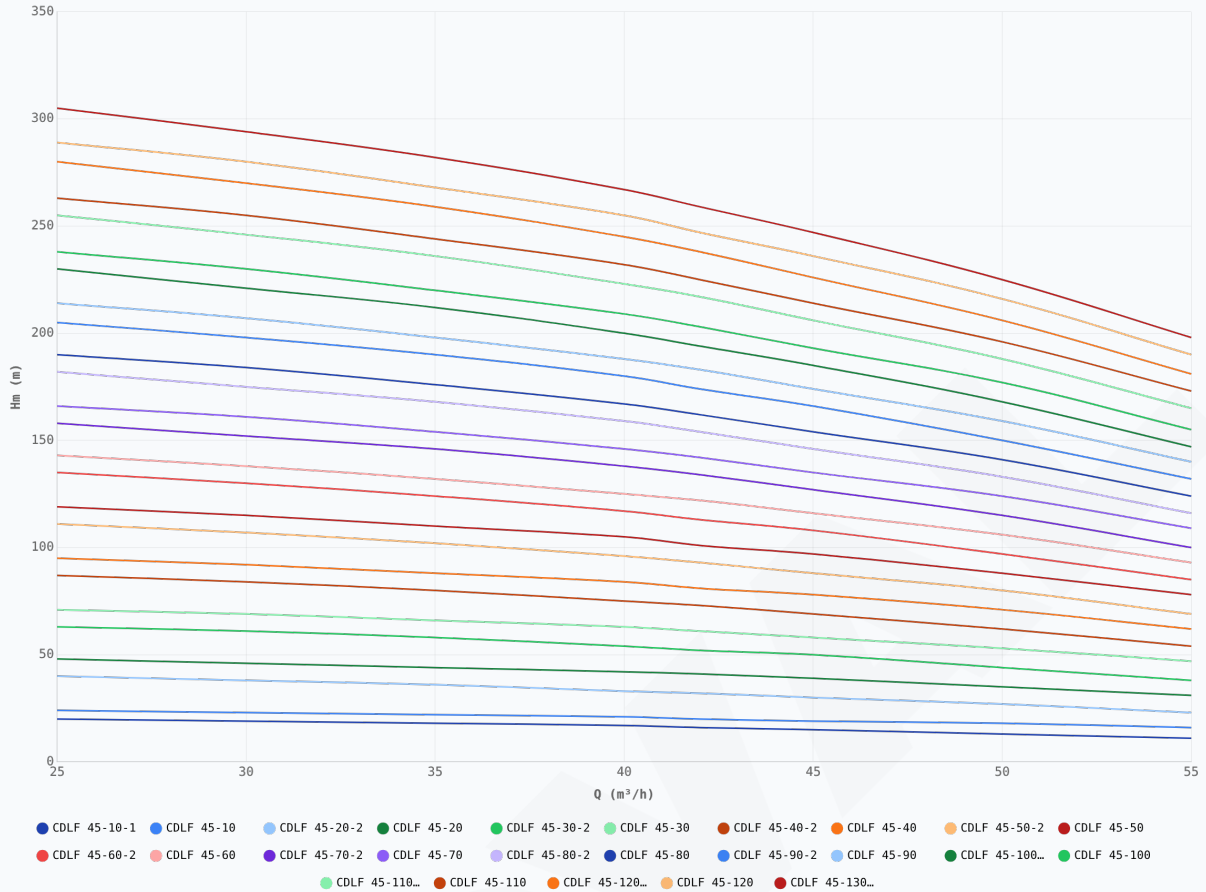
## CURVA DE PERFORMANCE (Q - HM)



Modelo	kW	CV	A (400V)	Ef. Energ.	m³/h									
					16	18	20	22	24	26	28	32	36	40
					<b>Hm (m)</b>									
CDLF 32-10-1	1,50	2,00	3,20	IE3	14,0	14,0	13,0	13,0	12,0	12,0	11,0	9,0	7,0	4,0
CDLF 32-10	2,20	3,00	4,60	IE3	18,0	18,0	17,0	16,0	15,0	15,0	14,0	13,0	11,0	8,0
CDLF 32-20-2	3,00	4,00	6,00	IE3	29,0	29,0	28,0	27,0	26,0	25,0	23,0	20,0	16,0	11,0
CDLF 32-20	4,00	5,50	7,80	IE3	36,0	35,0	34,0	33,0	32,0	31,0	29,0	27,0	23,0	18,0
CDLF 32-30-2	5,50	7,50	11,00	IE3	47,0	46,0	44,0	43,0	41,0	40,0	38,0	33,0	28,0	21,0
CDLF 32-30	5,50	7,50	11,00	IE3	54,0	53,0	51,0	50,0	48,0	46,0	44,0	40,0	35,0	27,0
CDLF 32-40-2	7,50	10,00	14,00	IE3	65,0	64,0	62,0	60,0	58,0	56,0	53,0	46,0	40,0	30,0
CDLF 32-40	7,50	10,00	14,00	IE3	72,0	71,0	69,0	67,0	65,0	62,0	59,0	53,0	47,0	37,0
CDLF 32-50-2	11,00	15,00	21,00	IE3	83,0	81,0	79,0	77,0	74,0	71,0	68,0	60,0	52,0	41,0
CDLF 32-50	11,00	15,00	21,00	IE3	90,0	88,0	86,0	84,0	81,0	78,0	74,0	67,0	59,0	47,0
CDLF 32-60-2	11,00	15,00	21,00	IE3	101,0	99,0	97,0	94,0	90,0	87,0	83,0	74,0	65,0	51,0
CDLF 32-60	11,00	15,00	21,00	IE3	108,0	106,0	104,0	101,0	97,0	94,0	90,0	81,0	72,0	57,0
CDLF 32-70-2	15,00	20,00	28,00	IE3	119,0	117,0	114,0	111,0	107,0	103,0	98,0	88,0	78,0	60,0
CDLF 32-70	15,00	20,00	28,00	IE3	126,0	124,0	121,0	117,0	113,0	109,0	105,0	95,0	85,0	67,0
CDLF 32-80-2	15,00	20,00	28,00	IE3	136,0	134,0	131,0	127,0	123,0	119,0	114,0	102,0	90,0	71,0
CDLF 32-80	15,00	20,00	28,00	IE3	144,0	141,0	138,0	134,0	130,0	125,0	120,0	109,0	97,0	77,0

Modelo	kW	CV	A (400V)	Ef. Energ.	m³/h	16	18	20	22	24	26	28	32	36	40
					<b>Hm (m)</b>										
CDLF 32-90-2	19,00	25,00	34,00	IE3	154,0	151,0	148,0	144,0	140,0	135,0	129,0	117,0	102,0	82,0	
CDLF 32-90	19,00	25,00	34,00	IE3	162,0	159,0	156,0	152,0	147,0	142,0	136,0	124,0	109,0	88,0	
CDLF 32-100-2	19,00	25,00	34,00	IE3	175,0	171,0	166,0	162,0	157,0	152,0	146,0	131,0	115,0	91,0	
CDLF 32-100	19,00	25,00	34,00	IE3	182,0	178,0	173,0	169,0	164,0	158,0	152,0	138,0	122,0	98,0	
CDLF 32-110-2	22,00	30,00	41,00	IE3	193,0	189,0	184,0	179,0	173,0	169,0	164,0	146,0	128,0	102,0	
CDLF 32-110	22,00	30,00	41,00	IE3	200,0	196,0	191,0	186,0	180,0	174,0	168,0	153,0	135,0	109,0	
CDLF 32-120-2	22,00	30,00	41,00	IE3	211,0	206,0	201,0	195,0	189,0	184,0	178,0	160,0	140,0	113,0	
CDLF 32-120	22,00	30,00	41,00	IE3	218,0	213,0	208,0	202,0	196,0	190,0	184,0	167,0	147,0	120,0	
CDLF 32-130-2	30,00	40,00	55,00	IE3	230,0	224,0	218,0	212,0	206,0	200,0	193,0	174,0	153,0	124,0	
CDLF 32-130	30,00	40,00	55,00	IE3	237,0	231,0	225,0	219,0	213,0	207,0	200,0	181,0	160,0	131,0	
CDLF 32-140-2	30,00	40,00	55,00	IE3	247,0	241,0	235,0	229,0	222,0	216,0	210,0	189,0	165,0	135,0	
CDLF 32-140	30,00	40,00	55,00	IE3	255,0	249,0	242,0	236,0	229,0	223,0	216,0	196,0	172,0	142,0	
CDLF 32-150-2	30,00	40,00	54,90	IE3	266,0	260,0	253,0	246,0	239,0	232,0	224,0	203,0	178,0	145,0	
CDLF 32-150	30,00	40,00	54,90	IE3	274,0	267,0	260,0	253,0	246,0	239,0	231,0	210,0	185,0	152,0	
CDLF 32-160-2	30,00	40,00	54,90	IE3	284,0	277,0	270,0	263,0	255,0	248,0	240,0	218,0	190,0	156,0	
CDLF 32-160	30,00	40,00	54,90	IE3	292,0	285,0	277,0	270,0	262,0	254,0	246,0	225,0	197,0	163,0	

## CURVA DE PERFORMANCE (Q - HM)

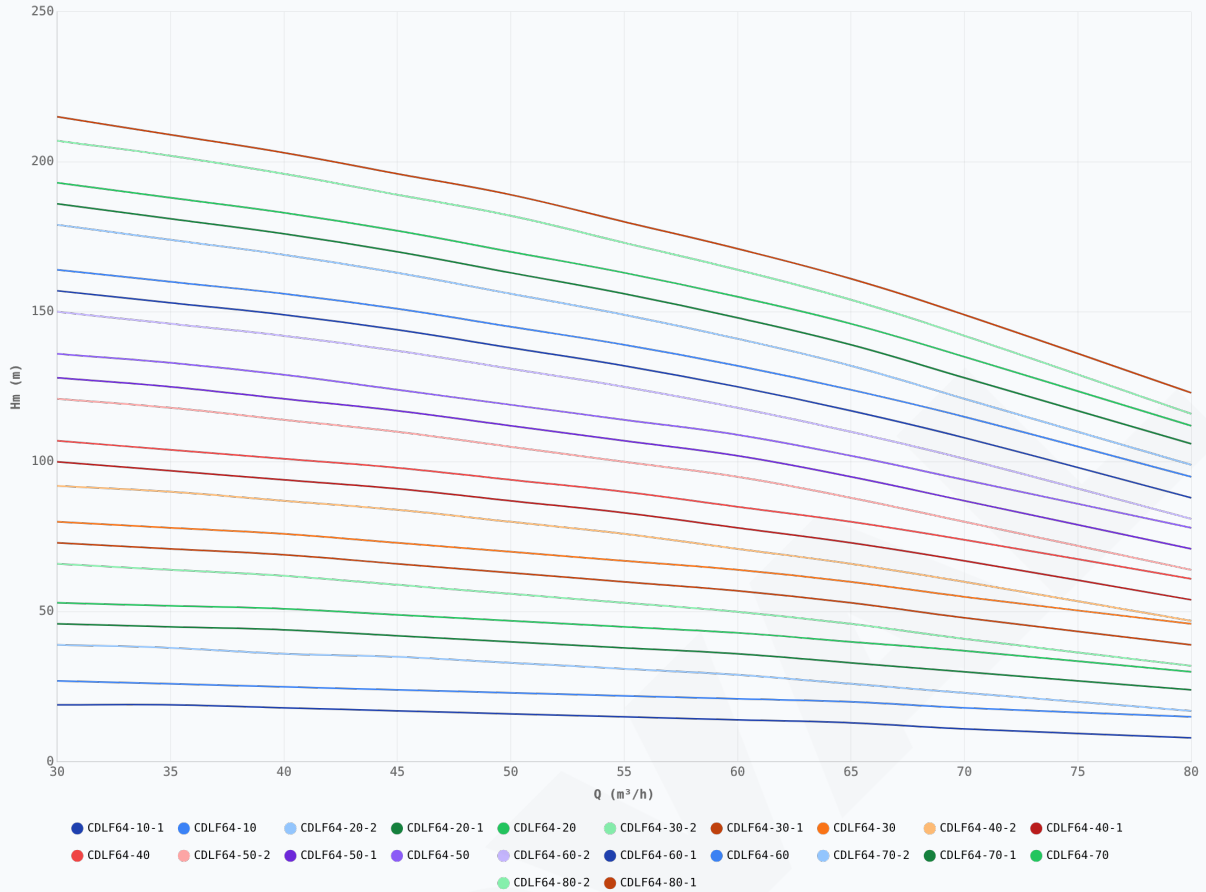


Curvas de caudal (Q) vs. altura manométrica (Hm)

Modelo	kW	CV	A (400V)	Ef. Energ.	m³/h							
					25	30	35	40	42	45	50	55
					<b>Hm (m)</b>							
CDLF 45-10-1	3,00	4,00	6,00	IE3	20,0	19,0	18,0	17,0	16,0	15,0	13,0	11,0
CDLF 45-10	4,00	5,50	7,80	IE3	24,0	23,0	22,0	21,0	20,0	19,0	18,0	16,0
CDLF 45-20-2	5,50	7,50	10,60	IE3	40,0	38,0	36,0	33,0	32,0	30,0	27,0	23,0
CDLF 45-20	7,50	10,00	14,40	IE3	48,0	46,0	44,0	42,0	41,0	39,0	35,0	31,0
CDLF 45-30-2	11,00	15,00	20,60	IE3	63,0	61,0	58,0	54,0	52,0	50,0	44,0	38,0
CDLF 45-30	11,00	15,00	20,60	IE3	71,0	69,0	66,0	63,0	61,0	58,0	53,0	47,0
CDLF 45-40-2	15,00	20,00	27,90	IE3	87,0	84,0	80,0	75,0	73,0	69,0	62,0	54,0
CDLF 45-40	15,00	20,00	27,90	IE3	95,0	92,0	88,0	84,0	81,0	78,0	71,0	62,0
CDLF 45-50-2	18,50	25,00	34,20	IE3	111,0	107,0	102,0	96,0	93,0	88,0	80,0	69,0
CDLF 45-50	18,50	25,00	34,20	IE3	119,0	115,0	110,0	105,0	101,0	97,0	88,0	78,0
CDLF 45-60-2	22,00	30,00	40,50	IE3	135,0	130,0	124,0	117,0	113,0	108,0	97,0	85,0
CDLF 45-60	22,00	30,00	40,50	IE3	143,0	138,0	132,0	125,0	122,0	116,0	106,0	93,0
CDLF 45-70-2	30,00	40,00	54,90	IE3	158,0	152,0	146,0	138,0	134,0	127,0	115,0	100,0
CDLF 45-70	30,00	40,00	54,90	IE3	166,0	161,0	154,0	146,0	142,0	135,0	124,0	109,0
CDLF 45-80-2	30,00	40,00	54,90	IE3	182,0	175,0	168,0	159,0	154,0	146,0	133,0	116,0
CDLF 45-80	30,00	40,00	54,90	IE3	190,0	184,0	176,0	167,0	162,0	154,0	141,0	124,0

Modelo	kW	CV	A (400V)	Ef. Energ.	m³/h							
					25	30	35	40	42	45	50	55
					<b>Hm (m)</b>							
CDLF 45-90-2	30,00	40,00	54,90	IE3	205,0	198,0	190,0	180,0	174,0	166,0	150,0	132,0
CDLF 45-90	37,00	50,00	67,40	IE3	214,0	207,0	198,0	188,0	183,0	174,0	159,0	140,0
CDLF 45-100-2	37,00	50,00	67,40	IE3	230,0	221,0	212,0	200,0	194,0	185,0	168,0	147,0
CDLF 45-100	37,00	50,00	67,40	IE3	238,0	230,0	220,0	209,0	203,0	193,0	177,0	155,0
CDLF 45-110-2	45,00	60,00	80,80	IE3	255,0	246,0	236,0	223,0	217,0	206,0	188,0	165,0
CDLF 45-110	45,00	60,00	80,80	IE3	263,0	255,0	244,0	232,0	225,0	214,0	196,0	173,0
CDLF 45-120-2	45,00	60,00	80,80	IE3	280,0	270,0	259,0	245,0	238,0	226,0	206,0	181,0
CDLF 45-120	45,00	60,00	80,80	IE3	289,0	280,0	268,0	255,0	247,0	236,0	216,0	190,0
CDLF 45-130-2	45,00	60,00	80,80	IE3	305,0	294,0	282,0	267,0	259,0	247,0	225,0	198,0

## CURVA DE PERFORMANCE (Q - HM)

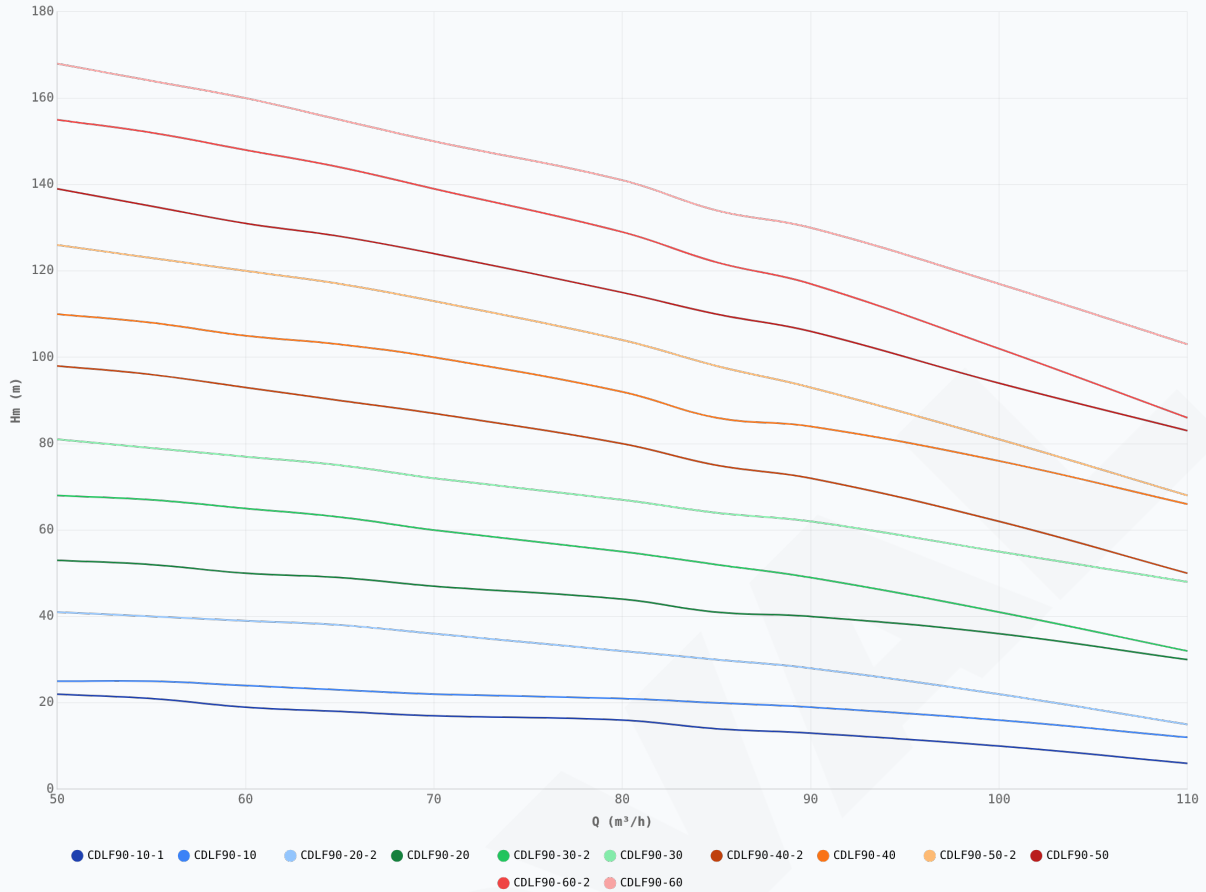


Curvas de caudal (Q) vs. altura manométrica (Hm)

Modelo	kW	CV	A (400V)	Ef. Energ.	m³/h									
					30	35	40	45	50	55	60	65	70	80
CDLF64-10-1	4,00	5,50	7,80	IE3	19,0	19,0	18,0	17,0	16,0	15,0	14,0	13,0	11,0	8,0
CDLF64-10	5,50	7,50	10,60	IE3	27,0	26,0	25,0	24,0	23,0	22,0	21,0	20,0	18,0	15,0
CDLF64-20-2	7,50	10,00	14,40	IE3	39,0	38,0	36,0	35,0	33,0	31,0	29,0	26,0	23,0	17,0
CDLF64-20-1	11,00	15,00	20,60	IE3	46,0	45,0	44,0	42,0	40,0	38,0	36,0	33,0	30,0	24,0
CDLF64-20	11,00	15,00	20,60	IE3	53,0	52,0	51,0	49,0	47,0	45,0	43,0	40,0	37,0	30,0
CDLF64-30-2	15,00	20,00	27,90	IE3	66,0	64,0	62,0	59,0	56,0	53,0	50,0	46,0	41,0	32,0
CDLF64-30-1	15,00	20,00	27,90	IE3	73,0	71,0	69,0	66,0	63,0	60,0	57,0	53,0	48,0	39,0
CDLF64-30	18,50	25,00	34,20	IE3	80,0	78,0	76,0	73,0	70,0	67,0	64,0	60,0	55,0	46,0
CDLF64-40-2	18,50	25,00	34,20	IE3	92,0	90,0	87,0	84,0	80,0	76,0	71,0	66,0	60,0	47,0
CDLF64-40-1	22,00	30,00	40,50	IE3	100,0	97,0	94,0	91,0	87,0	83,0	78,0	73,0	67,0	54,0
CDLF64-40	22,00	30,00	40,50	IE3	107,0	104,0	101,0	98,0	94,0	90,0	85,0	80,0	74,0	61,0
CDLF64-50-2	30,00	40,00	54,90	IE3	121,0	118,0	114,0	110,0	105,0	100,0	95,0	88,0	80,0	64,0
CDLF64-50-1	30,00	40,00	54,90	IE3	128,0	125,0	121,0	117,0	112,0	107,0	102,0	95,0	87,0	71,0
CDLF64-50	30,00	40,00	54,90	IE3	136,0	133,0	129,0	124,0	119,0	114,0	109,0	102,0	94,0	78,0
CDLF64-60-2	30,00	40,00	54,90	IE3	150,0	146,0	142,0	137,0	131,0	125,0	118,0	110,0	101,0	81,0
CDLF64-60-1	37,00	50,00	67,40	IE3	157,0	153,0	149,0	144,0	138,0	132,0	125,0	117,0	108,0	88,0

Modelo	kW	CV	A (400V)	Ef. Energ.	m³/h	30	35	40	45	50	55	60	65	70	80
					<b>Hm (m)</b>										
CDLF64-60	37,00	50,00	67,40	IE3	164,0	160,0	156,0	151,0	145,0	139,0	132,0	124,0	115,0	95,0	
CDLF64-70-2	37,00	50,00	67,40	IE3	179,0	174,0	169,0	163,0	156,0	149,0	141,0	132,0	121,0	99,0	
CDLF64-70-1	37,00	50,00	67,40	IE3	186,0	181,0	176,0	170,0	163,0	156,0	148,0	139,0	128,0	106,0	
CDLF64-70	45,00	60,00	80,80	IE3	193,0	188,0	183,0	177,0	170,0	163,0	155,0	146,0	135,0	112,0	
CDLF64-80-2	45,00	60,00	80,80	IE3	207,0	202,0	196,0	189,0	182,0	173,0	164,0	154,0	142,0	116,0	
CDLF64-80-1	45,00	60,00	80,80	IE3	215,0	209,0	203,0	196,0	189,0	180,0	171,0	161,0	149,0	123,0	

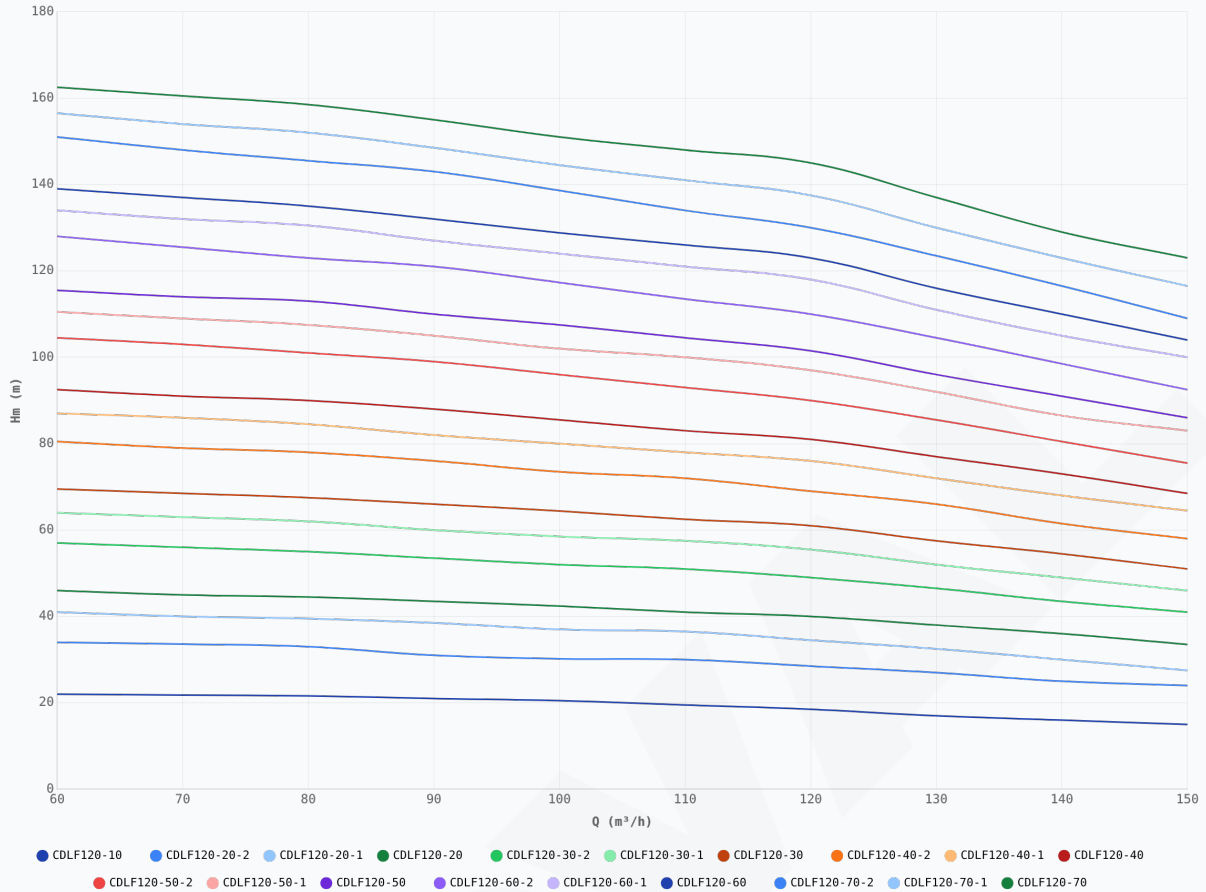
## CURVA DE PERFORMANCE (Q - HM)



Curvas de caudal (Q) vs. altura manométrica (Hm)

Modelo	kW	CV	A (400V)	Ef. Energ.	m³/h										
					50	55	60	65	70	80	85	90	100	110	
CDLF90-10-1	5,50	7,50	10,60	IE3	22,0	21,0	19,0	18,0	17,0	16,0	14,0	13,0	10,0	6,0	
CDLF90-10	7,50	10,00	14,40	IE3	25,0	25,0	24,0	23,0	22,0	21,0	20,0	19,0	16,0	12,0	
CDLF90-20-2	11,00	15,00	20,60	IE3	41,0	40,0	39,0	38,0	36,0	32,0	30,0	28,0	22,0	15,0	
CDLF90-20	15,00	20,00	27,90	IE3	53,0	52,0	50,0	49,0	47,0	44,0	41,0	40,0	36,0	30,0	
CDLF90-30-2	18,50	25,00	34,20	IE3	68,0	67,0	65,0	63,0	60,0	55,0	52,0	49,0	41,0	32,0	
CDLF90-30	22,00	30,00	40,50	IE3	81,0	79,0	77,0	75,0	72,0	67,0	64,0	62,0	55,0	48,0	
CDLF90-40-2	30,00	40,00	54,90	IE3	98,0	96,0	93,0	90,0	87,0	80,0	75,0	72,0	62,0	50,0	
CDLF90-40	30,00	40,00	54,90	IE3	110,0	108,0	105,0	103,0	100,0	92,0	86,0	84,0	76,0	66,0	
CDLF90-50-2	37,00	50,00	67,40	IE3	126,0	123,0	120,0	117,0	113,0	104,0	98,0	93,0	81,0	68,0	
CDLF90-50	37,00	50,00	67,40	IE3	139,0	135,0	131,0	128,0	124,0	115,0	110,0	106,0	94,0	83,0	
CDLF90-60-2	45,00	60,00	80,80	IE3	155,0	152,0	148,0	144,0	139,0	129,0	122,0	117,0	102,0	86,0	
CDLF90-60	45,00	60,00	80,80	IE3	168,0	164,0	160,0	155,0	150,0	141,0	134,0	130,0	117,0	103,0	

## CURVA DE PERFORMANCE (Q - HM)

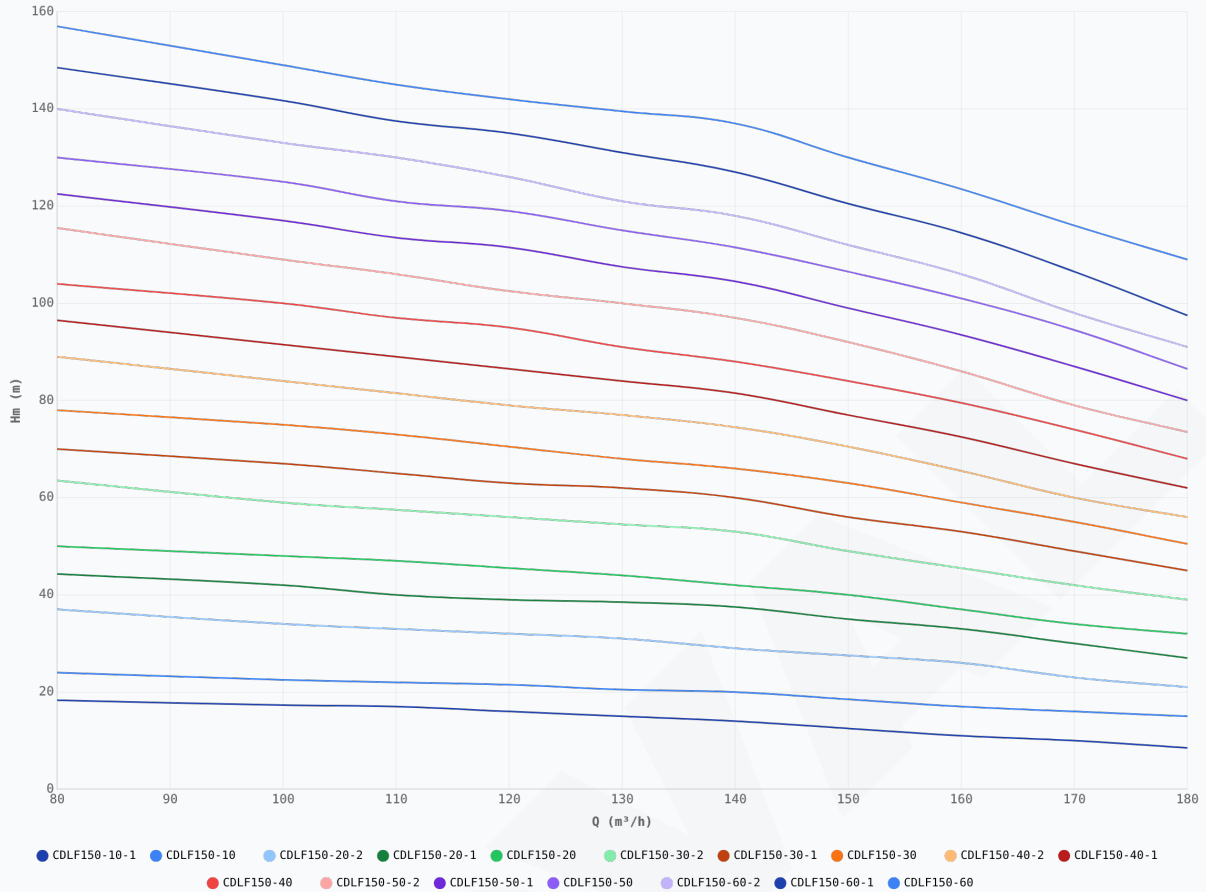


Curvas de caudal (Q) vs. altura manométrica (Hm)

Modelo	kW	CV	A (400V)	Ef. Energ.	m³/h									
					60	70	80	90	100	110	120	130	140	150
					Hm (m)									
CDLF120-10	11,00	15,00	20,60	IE3	22,0	21,8	21,6	21,0	20,5	19,5	18,5	17,0	16,0	15,0
CDLF120-20-2	15,00	20,00	27,90	IE3	34,0	33,6	33,0	31,0	30,2	30,0	28,5	27,0	25,0	24,0
CDLF120-20-1	18,50	25,00	34,20	IE3	41,0	40,0	39,5	38,5	37,0	36,5	34,5	32,5	30,0	27,5
CDLF120-20	22,00	30,00	40,50	IE3	46,0	45,0	44,5	43,5	42,4	41,0	40,0	38,0	36,0	33,5
CDLF120-30-2	30,00	40,00	54,90	IE3	57,0	56,0	55,0	53,5	52,0	51,0	49,0	46,5	43,5	41,0
CDLF120-30-1	30,00	40,00	54,90	IE3	64,0	63,0	62,0	60,0	58,5	57,5	55,5	52,0	49,0	46,0
CDLF120-30	30,00	40,00	54,90	IE3	69,5	68,5	67,5	66,0	64,4	62,5	61,0	57,5	54,5	51,0
CDLF120-40-2	37,00	50,00	67,40	IE3	80,5	79,0	78,0	76,0	73,5	72,0	69,0	66,0	61,5	58,0
CDLF120-40-1	37,00	50,00	67,40	IE3	87,0	86,0	84,5	82,0	80,0	78,0	76,0	72,0	68,0	64,5
CDLF120-40	45,00	60,00	80,80	IE3	92,5	91,0	90,0	88,0	85,5	83,0	81,0	77,0	73,0	68,5
CDLF120-50-2	45,00	60,00	80,80	IE3	104,5	103,0	101,0	99,0	96,0	93,0	90,0	85,5	80,5	75,5
CDLF120-50-1	45,00	60,00	80,80	IE3	110,5	109,0	107,5	105,0	102,0	100,0	97,0	92,0	86,5	83,0
CDLF120-50	55,00	75,00	98,50	IE3	115,5	114,0	113,0	110,0	107,5	104,5	101,5	96,0	91,0	86,0
CDLF120-60-2	55,00	75,00	98,50	IE3	128,0	125,5	123,0	121,0	117,3	113,5	110,0	104,5	98,5	92,5
CDLF120-60-1	55,00	75,00	98,50	IE3	134,0	132,0	130,5	127,0	124,0	121,0	118,0	111,0	105,0	100,0
CDLF120-60	75,00	100,00	133,70	IE3	139,0	137,0	135,0	132,0	128,8	126,0	123,0	116,0	110,0	104,0

Modelo	kW	CV	A (400V)	Ef. Energ.	m³/h										
					60	70	80	90	100	110	120	130	140	150	
					<b>Hm (m)</b>										
CDLF120-70-2	75,00	100,00	133,70	IE3	151,0	148,0	145,5	143,0	138,6	134,0	130,0	123,5	116,5	109,0	
CDLF120-70-1	75,00	100,00	133,70	IE3	156,5	154,0	152,0	148,5	144,5	141,0	137,5	130,0	123,0	116,5	
CDLF120-70	75,00	100,00	133,70	IE3	162,5	160,5	158,5	155,0	151,0	148,0	145,0	137,0	129,0	123,0	

## CURVA DE PERFORMANCE (Q - HM)



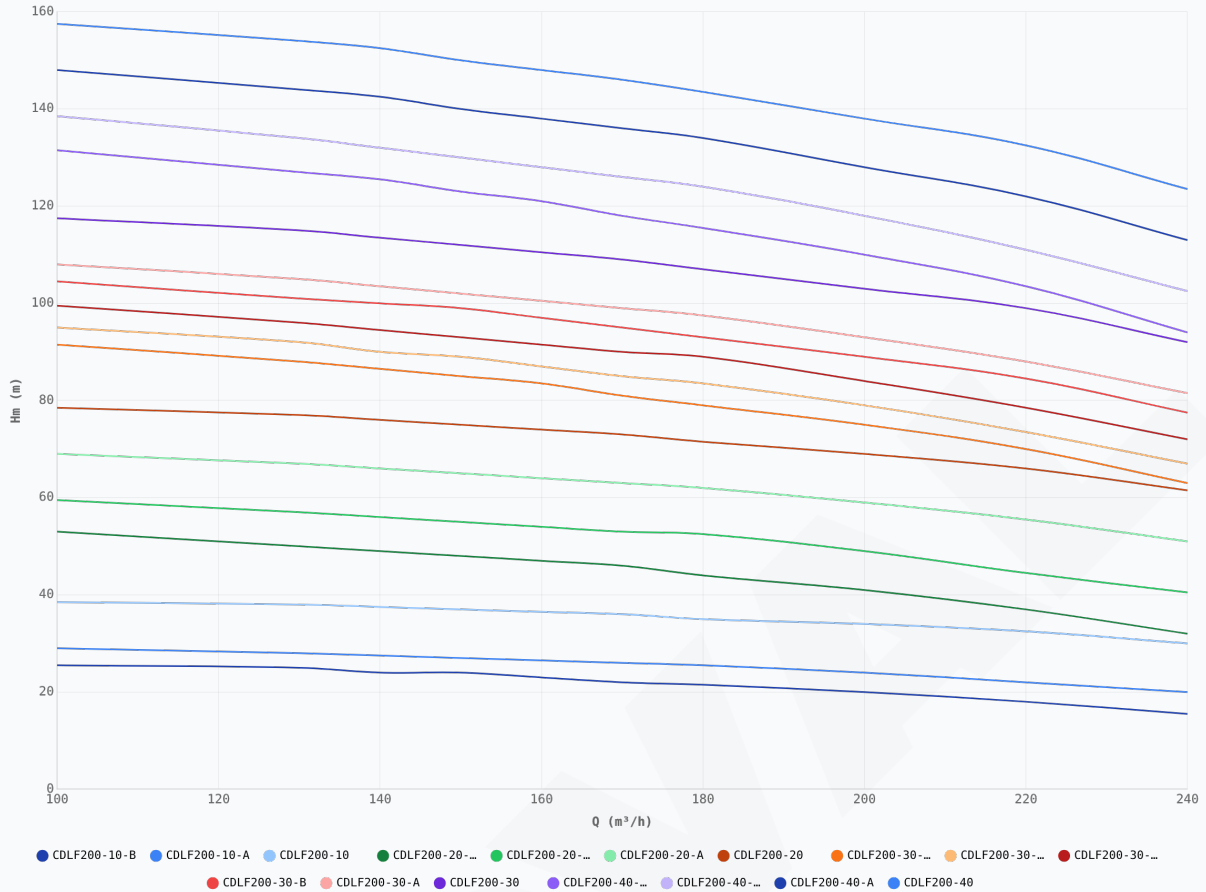
Curvas de caudal (Q) vs. altura manométrica (Hm)

Modelo	kW	CV	A (400V)	Ef. Energ.	m³/h										
					80	100	110	120	130	140	150	160	170	180	
					Hm (m)										
CDLF150-10-1	11,00	15,00	20,60	IE3	18,3	17,3	17,0	16,0	15,0	14,0	12,5	11,0	10,0	8,5	
CDLF150-10	15,00	20,00	27,90	IE3	24,0	22,5	22,0	21,5	20,5	20,0	18,5	17,0	16,0	15,0	
CDLF150-20-2	18,50	25,00	34,20	IE3	37,0	34,0	33,0	32,0	31,0	29,0	27,5	26,0	23,0	21,0	
CDLF150-20-1	22,00	30,00	40,50	IE3	44,3	42,0	40,0	39,0	38,5	37,5	35,0	33,0	30,0	27,0	
CDLF150-20	30,00	40,00	54,90	IE3	50,0	48,0	47,0	45,5	44,0	42,0	40,0	37,0	34,0	32,0	
CDLF150-30-2	30,00	40,00	54,90	IE3	63,5	59,0	57,5	56,0	54,5	53,0	49,0	45,5	42,0	39,0	
CDLF150-30-1	37,00	50,00	67,40	IE3	70,0	67,0	65,0	63,0	62,0	60,0	56,0	53,0	49,0	45,0	
CDLF150-30	37,00	50,00	67,40	IE3	78,0	75,0	73,0	70,5	68,0	66,0	63,0	59,0	55,0	50,5	
CDLF150-40-2	45,00	60,00	80,80	IE3	89,0	84,0	81,5	79,0	77,0	74,5	70,5	65,5	60,0	56,0	
CDLF150-40-1	45,00	60,00	80,80	IE3	96,5	91,5	89,0	86,5	84,0	81,5	77,0	72,5	67,0	62,0	
CDLF150-40	55,00	75,00	98,50	IE3	104,0	100,0	97,0	95,0	91,0	88,0	84,0	79,5	74,0	68,0	
CDLF150-50-2	55,00	75,00	98,50	IE3	115,5	109,0	106,0	102,5	100,0	97,0	92,0	86,0	79,0	73,5	
CDLF150-50-1	75,00	100,00	133,70	IE3	122,5	117,0	113,5	111,5	107,5	104,5	99,0	93,5	87,0	80,0	
CDLF150-50	75,00	100,00	133,70	IE3	130,0	125,0	121,0	119,0	115,0	111,5	106,5	101,0	94,5	86,5	
CDLF150-60-2	75,00	100,00	133,70	IE3	140,0	133,0	130,0	126,0	121,0	118,0	112,0	106,0	98,0	91,0	
CDLF150-60-1	75,00	100,00	133,70	IE3	148,5	141,7	137,5	135,0	131,0	127,0	120,5	114,5	106,5	97,5	

Modelo	kW	CV	A (400V)	Ef. Energ.	m³/h										
					80	100	110	120	130	140	150	160	170	180	
					<b>Hm (m)</b>										
CDLF150-60	75,00	100,00	133,70	IE3	157,0	149,0	145,0	142,0	139,5	137,0	130,0	123,5	116,0	109,0	



## CURVA DE PERFORMANCE (Q - HM)

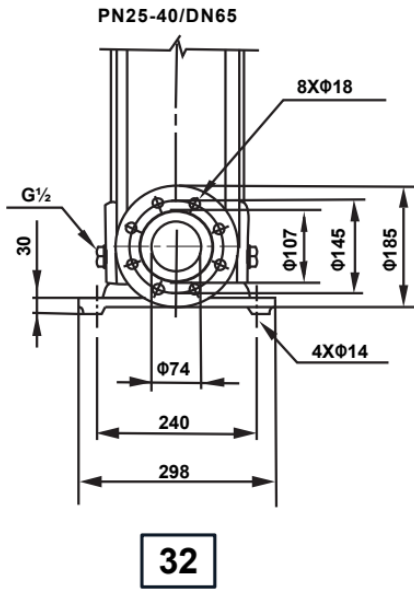


Curvas de caudal (Q) vs. altura manométrica (Hm)

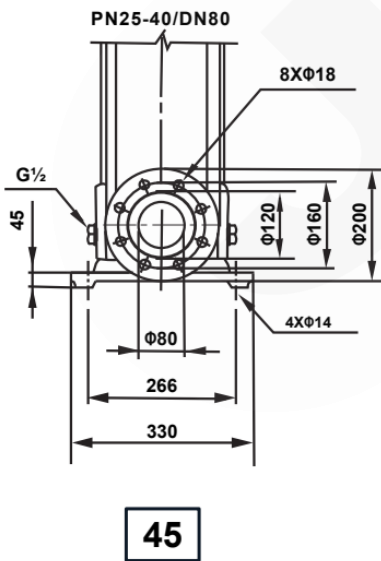
Modelo	kW	CV	A (400V)	Ef. Energ.	m³/h									
					100	130	140	150	160	170	180	200	220	240
					Hm (m)									
CDLF200-10-B	18,50	25,00	34,20	IE3	25,5	25,0	24,0	24,0	23,0	22,0	21,5	20,0	18,0	15,5
CDLF200-10-A	22,00	30,00	40,50	IE3	29,0	28,0	27,5	27,0	26,5	26,0	25,5	24,0	22,0	20,0
CDLF200-10	30,00	40,00	54,90	IE3	38,5	38,0	37,5	37,0	36,5	36,0	35,0	34,0	32,5	30,0
CDLF200-20-2B	37,00	50,00	67,40	IE3	53,0	50,0	49,0	48,0	47,0	46,0	44,0	41,0	37,0	32,0
CDLF200-20-2A	45,00	60,00	80,80	IE3	59,5	57,0	56,0	55,0	54,0	53,0	52,5	49,0	44,5	40,5
CDLF200-20-A	55,00	75,00	98,50	IE3	69,0	67,0	66,0	65,0	64,0	63,0	62,0	59,0	55,5	51,0
CDLF200-20	55,00	75,00	98,50	IE3	78,5	77,0	76,0	75,0	74,0	73,0	71,5	69,0	66,0	61,5
CDLF200-30-2B	75,00	100,00	133,70	IE3	91,5	88,0	86,5	85,0	83,5	81,0	79,0	75,0	70,0	63,0
CDLF200-30-A-B	75,00	100,00	133,70	IE3	95,0	92,0	90,0	89,0	87,0	85,0	83,5	79,0	73,5	67,0
CDLF200-30-2A	75,00	100,00	133,70	IE3	99,5	96,0	94,5	93,0	91,5	90,0	89,0	84,0	78,5	72,0
CDLF200-30-B	75,00	100,00	133,70	IE3	104,5	101,0	100,0	99,0	97,0	95,0	93,0	89,0	84,5	77,5
CDLF200-30-A	75,00	100,00	133,70	IE3	108,0	105,0	103,5	102,0	100,5	99,0	97,5	93,0	88,0	81,5
CDLF200-30	90,00	125,00	159,90	IE3	117,5	115,0	113,5	112,0	110,5	109,0	107,0	103,0	99,0	92,0
CDLF200-40-2B	90,00	125,00	159,90	IE3	131,5	127,0	125,5	123,0	121,0	118,0	115,5	110,0	103,5	94,0
CDLF200-40-2A	110,00	150,00	195,10	IE3	138,5	134,0	132,0	130,0	128,0	126,0	124,0	118,0	111,0	102,5
CDLF200-40-A	110,00	150,00	195,10	IE3	148,0	144,0	142,5	140,0	138,0	136,0	134,0	128,0	122,0	113,0

Modelo	kW	CV	A (400V)	Ef. Energ.	m³/h									
					100	130	140	150	160	170	180	200	220	240
					Hm (m)									
CDLF200-40	110,00	150,00	195,10	IE3	157,5	154,0	152,5	150,0	148,0	146,0	143,5	138,0	132,5	123,5

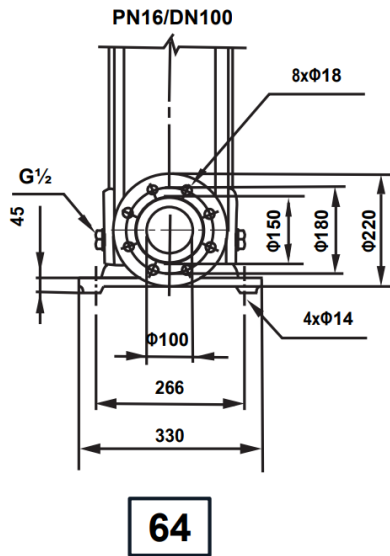
## ESQUEMA FLANGE CDLF 32



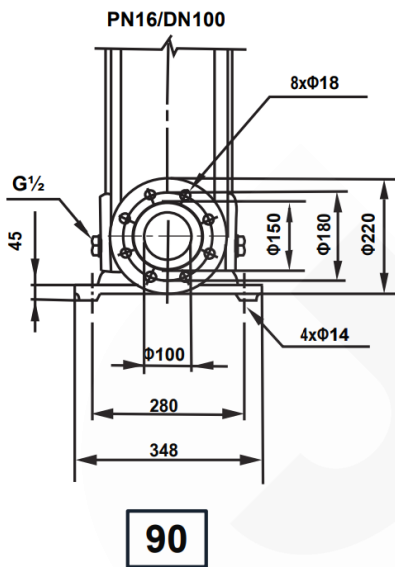
## ESQUEMA FLANGE CDLF 45



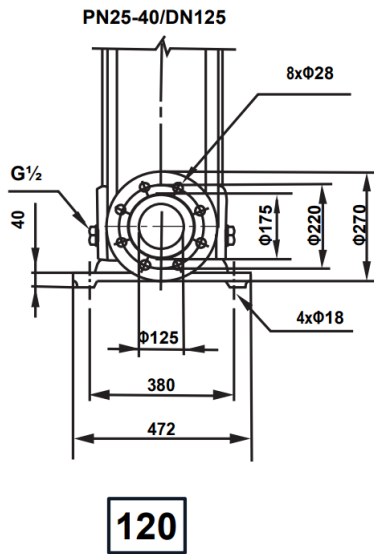
## ESQUEMA FLANGE CDLF 64



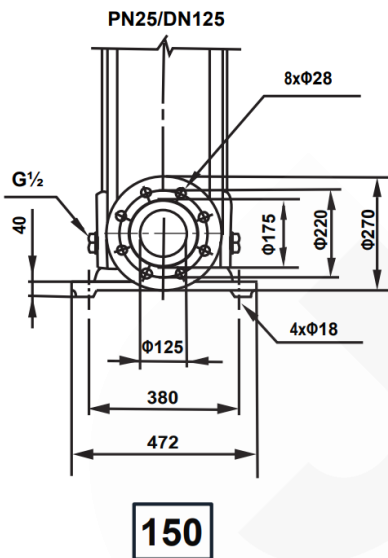
## ESQUEMA FLANGE CDLF 90



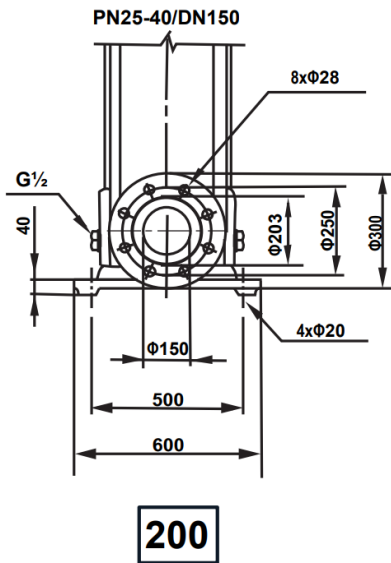
## ESQUEMA FLANGE CDLF 120



## ESQUEMA FLANGE CDLF 150



## ESQUEMA FLANGE CDLF 200



**A sua opinião ajuda outros profissionais:** A sua opinião ajuda outros profissionais a escolher com confiança. Pode deixar-nos a sua avaliação no Google:

<https://g.page/r/CQ-zo3RFB7I3EAE/review>